

RX & RX L

LEXUS PRICE LIST

OCTOBER 2021



LEXUS RX AND RX L

Setting a new standard for the Lexus SUV, the latest RX is even more enjoyable to drive boasting high levels of luxury and space.

Lexus RX L has the freedom of a large SUV that can be used as an occasional seven seat passenger vehicle, boasting a sleek and stylish design.

[FIND A CENTRE](#) —



GRADE LINE-UP



RX & RX L

RX and RX L grade comes with a high level of standard equipment to deliver an unrivalled experience.

Equipment Highlights:

- 3.5L 313 DIN-hp Self-Charging Hybrid with Automatic Transmission (E-CVT)
- E-FOUR (All Wheel Drive)
- 20" Alloy Wheels with Temporary Spare Tyre
- Lexus Safety System +
- 3-Eye LED Headlights with Automatic High Beam (AHB)
- Intelligent Front and Rear Parking Sensors
- Privacy Glass
- Power Back Door with Kick Sensor
- Door Mirrors: Heated, Auto-folding with Reverse Tilt Function (RX and RX L)
- Door Mirrors: Auto-Dimming with Memory Function (RX L)
- Smart Keyless Entry
- Tahara Man-made Leather Upholstery
- Heated Steering Wheel (RX)
- Heated Front Seats (RX only) with 8-Way Electric Adjustments and 2-Way Power Lumbar Support
- Additional Air Conditioning Zone for Third Row Passengers (RX L)
- Electric Folding Third Row Seats (RX L)
- Electrically Adjustable Leather Steering Wheel with Auto-retraction Function and Paddle Shifts
- 12.3" Lexus Navigation with Touchscreen Display, Apple CarPlay® and Android Auto®
- 12-speaker Pioneer® Audio System with DVD, USB, and AUX Input and Bluetooth® Connectivity
- Lexus Link Connected Services with WIFI Hotspot
- Wireless Smartphone Charger

RX & RX L

Packs and Options:

Premium Pack:

- Smooth Leather Upholstery
- Ventilated Front Seats
- Heated Front Seats (RX L)
- Heated Steering Wheel
- Hands-Free Power Back Door with Kick Sensor
- Door Mirrors: Auto-dimming with Memory (RX)
- Driver's Seat Easy Access with Auto-retraction and Memory functions

Tech & Safety Pack:

- Only in addition to Premium Pack
- Heated Rear Seats (RX 450h & RX 450h L 6 seat)
 - Head-Up Display (HUD)
 - Blind Spot Monitor (BSM)
 - Rear Cross Traffic Alert with Auto Brake (RCTAB)
 - Panoramic Sunroof (RX)
 - Sunroof (RX L)

Options:

- Panoramic Sunroof (RX)
- Sunroof (RX L)



F SPORT

F SPORT's distinctive styling and agile driving dynamics further accentuate the sportiness of the RX.*

Equipment Highlights (in addition to RX):

- 20" F SPORT Alloy Wheels
- F SPORT Exterior Styling and Badging
- 3-Eye LED Headlights with BladeScan™ Type Adaptive High Beam System (AHS)
- F SPORT Suspension Tuning with Front and Rear Performance Dampers
- Adaptive Variable Suspension (AVS) with Sport S+ Driving Mode
- Premium Pack content
- F SPORT Heated and Ventilated Front Seats with Leather Upholstery
- F SPORT 8" LFA Inspired Digital Meters
- Heated F SPORT Steering Wheel
- F SPORT Aluminium Scuff Plates
- F SPORT Aluminium Inlay
- Rear Door Sunshades

* F SPORT not available on RX L

F SPORT

Packs and Options:

Tech & Safety Pack:

- Head-Up Display (HUD)
- Blind Spot Monitor (BSM)
- Rear Cross Traffic Alert with Auto Brake (RCTAB)
- Panoramic Sunroof (Sunroof if Active Stabiliser selected)

Takumi Pack:

- Tech & Safety Pack content
- Electrically Folding Rear Seats
- Heated Rear Seats
- 15-speaker Mark Levinson® Premium Surround Sound System
- 360° Panoramic View Monitor
- Card Key
- Panoramic Sunroof

Options:

- Active Stabilisers**
- Panoramic Sunroof (not available if Active Stabiliser selected)
- Sunroof

**Active Stabilisers:

These reduce vehicle roll in corners to help maintain stable driving. They also enhance ride comfort over rougher surfaces. The operation differs depending on the Drive Mode Select settings chosen. For ECO, NORMAL and SPORT S, comfort is prioritised while in SPORT S+, stability and agility are prioritised.



TAKUMI

The ultimate RX or RX L for refinement and comfort.

Equipment Highlights (in addition to RX or RX L):

- 20" Takumi Design Alloy Wheels
- 3-Eye LED Headlights with BladeScan™ Type Adaptive High Beam System (AHS)
- Blind Spot Monitor (BSM) and Rear Cross Traffic Alert with Auto Brake (RCTAB)
- Adaptive Variable Suspension (AVS) with Sport S+ Driving Mode
- Hands-Free Power Back Door with Kick Sensor
- 15-Speaker Mark Levinson® Premium Surround Sound System
- 10" Head-Up Display (HUD)
- 360° Panoramic View Monitor
- Semi-Aniline Leather Upholstery
- Heated and Electric Folding Rear Seats, Ventilated Front Seats
- Front Seats with 10-Way Electric Adjustments and 4-Way Power Lumbar Support with Memory Function for Driver and Passenger
- Heated Wooden and Leather Steering Wheel
- Wood inlay
- Panoramic Sunroof (RX) / Sunroof (RX L)
- Illuminated Aluminium Scuff Plates

TAKUMI

Options:

- RX L Captain Seats (6 seats)
- Sunroof (RX)



Optional Captain Seats (RX L only)



COLOURS AND TRIMS



INTERIOR COLOURS AND TRIMS

Seat Colour	Seat Material	Seat Surround	Seat Stitching	Dashboard	Dashboard Stitching	Steering Wheel Stitching	Roof	Carpet and Seatbelt	Inlays	Code	RX	RX/RXL Premium Pack	F SPORT	Takumi
Black	Tahara Man-made Leather	Black	White	Black	White	White	Moon Stone	Black	Black Grain	EA24	○	-	-	-
Ivory	Smooth Leather	Black	White	Black	White	White	Ecru	Black	Black Grain	LB04	-	○	-	-
Black	Smooth Leather	Black	White	Black	White	White	Moon Stone	Black	Black Grain	LB24	-	○	-	-
Ochre	Smooth Leather	Black	White	Black	White	White	Ecru	Black	Black Grain	LB54	-	○	-	-
Rich Cream	Smooth Leather	Black	Noble Brown	Black	White	White	Ecru	Black	Black Grain	LB64	-	○	-	-
Black	F SPORT Leather	Black	White	Black	White	White	Black	Black	Aluminium	LC25	-	-	○	-
Black & White	F SPORT Leather	Black	White	Black	White	White	Black	Black	Aluminium	LC27	-	-	○	-
Flare Red	F SPORT Leather	Flare Red	Flare Red	Black	White	Flare Red	Black	Black	Aluminium	LC30	-	-	○	-
Ivory	Semi-Aniline Leather	Black	White	Black	White	White	Ecru	Black	Dark Brown Shimamoku	LA01	-	-	-	○
Ivory	Semi-Aniline Leather	Black	White	Black	White	White	Ecru	Black	Open Pore Walnut	LA03	-	-	-	○
Black	Semi-Aniline Leather	Black	White	Black	White	White	Moon Stone	Black	Dark Brown Shimamoku	LA21	-	-	-	○
Black	Semi-Aniline Leather	Black	White	Black	White	White	Moon Stone	Black	Open Pore Walnut	LA23	-	-	-	○
Ochre	Semi-Aniline Leather	Black	White	Black	White	White	Ecru	Black	Open Pore Walnut	LA53	-	-	-	○
Rich Cream	Semi-Aniline Leather	Black	Noble Brown	Black	White	White	Ecru	Black	Dark Brown Shimamoku	LA61	-	-	-	○
Rich Cream	Semi-Aniline Leather	Black	Noble Brown	Black	White	White	Ecru	Black	Open Pore Walnut	LA62	-	-	-	○

See the full list of features available in Lexus RX and RX L.

[CONFIGURE YOUR RX](#)

[CONFIGURE YOUR RX L](#)

○ : Available - : Not available



Rich Cream Interior



Ivory Interior



Black Interior



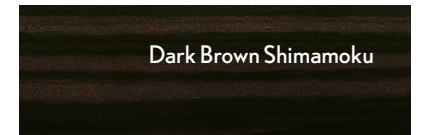
F SPORT Black Interior



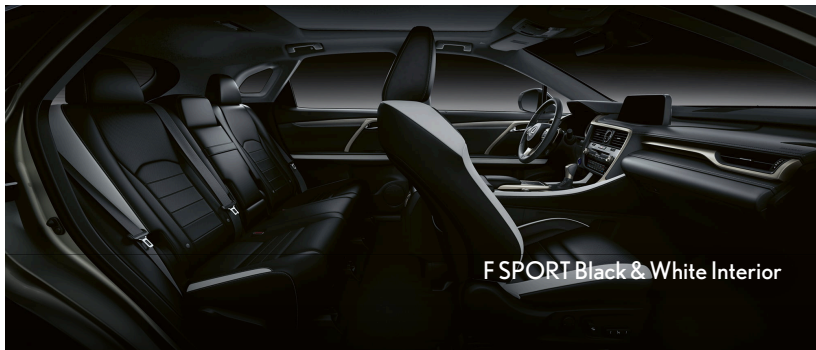
F SPORT Flare Red Interior



Black Grain



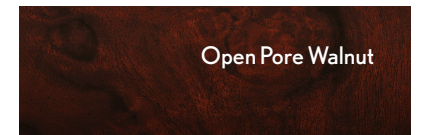
Dark Brown Shimamoku



F SPORT Black & White Interior



Ochre Interior






Open Pore Walnut



Aluminium

EXTERIOR COLOURS

Type	Colour		Code	Non F SPORT	F SPORT	OTR
Solid	Velvet Black		212	○	○	£0
	F SPORT White		083	-	○	
Metallic	Graphite Black		223	○	○	
	Mesa Red		3R1	○	○	£670
	Ice Ecu		4X8	○	-	
	Terrane Khaki		6X4	○	-	
	Deep Blue		8X5	○	○	
Sonic White		085	○	-		
Special Metallic	Sonic Titanium		1J7	○	○	
	Sonic Grey		1L1	○	○	£920
	Sonic Platimun		1L2	○	○	
	Azure Blue		8X1	-	○	



See the full list of features in Lexus RX and RX L brochures.

[RX BROCHURE](#)

[RX L BROCHURE](#)

○ : Available - : Not available

FULL PRICE LIST



RX

Grade	Packs and Options	Transmission	CO ₂ g/km (WLTP)	MPG Combined	l/100KM Combined	VED band	BIK % 21/22	Basic Price	VAT	Delivery	Number Plates	List Price (P11D)	VED	First Registration Fee	OTR
RX	RX	4WDE-CVT	178	35.7	79	J	37%	£42,499.17	£8,499.83	£700.00	£26.00	£51,725.00	£885.00	£55.00	£52,665.00
	RX [Panoramic Roof]	4WDE-CVT	179	35.7	79	J	37%	£43,707.50	£8,741.50	£700.00	£26.00	£43,175.00	£885.00	£55.00	£54,115.00
	RX Premium	4WDE-CVT	178	35.7	79	J	37%	£43,874.17	£8,774.83	£700.00	£26.00	£53,375.00	£885.00	£55.00	£54,315.00
	RX Premium [Panoramic Roof]	4WDE-CVT	179	35.7	79	J	37%	£45,082.50	£9,016.50	£700.00	£26.00	£54,825.00	£885.00	£55.00	£55,765.00
	RX Prem Tech & Safety Pack	4WDE-CVT	179	35.7	79	J	37%	£46,249.17	£9,249.83	£700.00	£26.00	£56,225.00	£885.00	£55.00	£57,165.00
F SPORT	F SPORT	4WDE-CVT	179	35.7	79	J	37%	£45,957.50	£9,191.50	£700.00	£26.00	£55,875.00	£885.00	£55.00	£56,815.00
	F SPORT [Panoramic Roof]	4WDE-CVT	180	35.7	79	J	37%	£47,165.83	£9,433.17	£700.00	£26.00	£57,325.00	£885.00	£55.00	£58,265.00
	F SPORT [Active Stabiliser]	4WDE-CVT	179	35.7	79	J	37%	£47,415.83	£9,483.17	£700.00	£26.00	£57,625.00	£885.00	£55.00	£58,565.00
	F SPORT [Active Stabiliser & Sunroof]	4WDE-CVT	179	35.7	79	J	37%	£48,249.17	£9,649.83	£700.00	£26.00	£58,625.00	£885.00	£55.00	£59,565.00
	F SPORT Tech & Safety Pack	4WDE-CVT	180	35.7	79	J	37%	£48,082.50	£9,616.50	£700.00	£26.00	£58,425.00	£885.00	£55.00	£59,365.00
	F SPORT Tech & Safety Pk [Active Stabiliser & Sunroof]	4WDE-CVT	179	35.7	79	J	37%	£49,540.83	£9,908.17	£700.00	£26.00	£60,175.00	£885.00	£55.00	£61,115.00
	F SPORT Takumi Pack [Active Stabiliser & Sunroof]	4WDE-CVT	180	35.7	79	J	37%	£51,999.17	£10,399.83	£700.00	£26.00	£63,125.00	£885.00	£55.00	£64,065.00
	F SPORT Takumi Pack [Sunroof]	4WDE-CVT	180	35.7	79	J	37%	£50,540.83	£10,108.17	£700.00	£26.00	£61,375.00	£885.00	£55.00	£62,315.00
Takumi	Takumi	4WDE-CVT	179	35.7	79	J	37%	£51,374.17	£10,274.83	£700.00	£26.00	£62,375.00	£885.00	£55.00	£63,315.00
	Takumi [Sunroof]	4WDE-CVT	179	35.7	79	J	37%	£51,374.17	£10,274.83	£700.00	£26.00	£62,375.00	£885.00	£55.00	£63,315.00

To see the latest offers for RX, please visit our website by clicking the button below:

[RX OFFERS](#)

RX L

Grade	Packs and Options	Transmission	CO ₂ g/km (WLTP)	MPG Combined	l/100KM Combined	VED band	BIK % 20/21	Basic Price	VAT	Delivery	Number Plates	List Price (P11D)	VED	First Registration Fee	OTR
RX L	RX L	4WD E-CVT	185	34.4	8.2	J	37%	£43,574.17	£8,714.83	£700.00	£26.00	£53,015.00	£885.00	£55.00	£53,955.00
	RX L Sunroof	4WD E-CVT	186	34.4	8.2	J	37%	£44,407.50	£8,881.50	£700.00	£26.00	£54,015.00	£885.00	£55.00	£54,955.00
	RX L Premium Pack	4WD E-CVT	185	34.4	8.2	J	37%	£45,074.17	£9,014.83	£700.00	£26.00	£54,815.00	£885.00	£55.00	£55,755.00
	RX L Premium Pack & Sunroof	4WD E-CVT	186	34.4	8.2	J	37%	£45,907.50	£9,181.50	£700.00	£26.00	£55,815.00	£885.00	£55.00	£56,755.00
	RX L Tech & Safety Pack & Sunroof	4WD E-CVT	186	34.4	8.2	J	37%	£46,824.17	£9,364.83	£700.00	£26.00	£56,915.00	£885.00	£55.00	£57,855.00
Takumi	Takumi	4WD E-CVT	185	34.4	8.2	J	37%	£52,124.17	£10,424.83	£700.00	£26.00	£63,275.00	£885.00	£55.00	£64,215.00
	Takumi [6 Seat]	4WD E-CVT	185	34.4	8.2	J	37%	£53,165.83	£10,633.17	£700.00	£26.00	£64,525.00	£885.00	£55.00	£65,465.00

To see the latest offers for RX L, please visit our website by clicking the button below:

RX L OFFERS

RX & RX L FULL SPECIFICATION



ACTIVE SAFETY AND DRIVING DYNAMICS

	RX/RXL	F SPORT*	Takumi
Vehicle Dynamics Integrated Management (VDIM)	■	■	■
Anti-lock Braking System (ABS)	■	■	■
Brake Assist System (BAS)	■	■	■
Traction Control (TRC)	■	■	■
Electronic Brake Force Distribution (EBD)	■	■	■
Vehicle Stability Control (VSC)	■	■	■
Electronically Controlled Brake System (ECB)	■	■	■
Electric Power Steering (EPS)	■	■	■
Hill-start Assist Control (HAC)	■	■	■
Lexus Safety System + consisting of: - Dynamic Radar Cruise Control (DRCC) - Pre-Collision System (PCS) Day & Night - Lane Tracing Assist (LTA) - Road Sign Assist (RSA) - Automatic High Beam (AHB)	■	■	■
Adaptive High Beam System (AHS) with BladeScan™	-	■	■
Blind Spot Monitor (BSM) with Rear Cross Traffic Alert and Auto Brake (RCTAB)	□ ²	□ ^{2,3}	■
Self-Charging Hybrid	■	■	■
E-FOUR Automatic Transmission	■	■	■
4 driving modes: Normal, EV, Eco, Sport	■	-	-
5 driving modes: Normal, EV, Eco, Sport S & Sport S+	-	■	■
Front and rear performance dampers	-	■	-
F SPORT Suspension Tuning	-	■	-
Adaptive Variable Suspension (AVS)	-	■	■
F SPORT steering	-	■	-
Active Sound Control (ASC)	-	■	-
Electronic Parking Brake (EPB)	■	■	■
Tyre Pressure Warning System (TPWS)	■	■	■

- Available as standard
- Available as part of a pack
- Available as an option.
- Not available.
- ¹ Premium Pack
- ² Tech & Safety Pack
- ³ Takumi Pack

PASSIVE SAFETY

	RX/RXL	F SPORT*	Takumi
Driver and front passenger 2-stage airbag	■	■	■
Driver knee airbag	■	■	■
Front passenger cushion airbag	■	■	■
Driver and front passenger side airbags	■	■	■
Rear passenger side airbags	■	■	■
Curtain shield airbags (front and rear)	■	■	■
Front passenger airbag cut-off switch	■	■	■
Front and rear seat belts with pre-tensioners: 3-point Emergency Locking Retractor (ELR)	■	■	■
2 x ISOFIX child seat restraints on second row	■	■	■
Whiplash Injury Lessening (WIL) front seats	■	■	■

SECURITY

	RX/RXL	F SPORT*	Takumi
Anti-theft system: alarm, intrusion sensor, tilt sensor, glass breakage sensor and engine immobiliser	■	■	■
Two motion door lock: double lock	■	■	■
Window etching	■	■	■
Card key (in addition to standard key)	-	□ ³	■
Locking wheel nuts (Thatcham approved)	■	■	■

FIND A CENTRE

INTERIOR COMFORT AND CONVENIENCE

	RX/RXL	F SPORT*	Takumi
Push button start	■	■	■
Smart keyless entry	■	■	■
Dual zone climate control air conditioning system with S flow and Nanoe technology on RX	■	■	■
Three zone climate control air conditioning system with S flow and Nanoe technology on RX L	■	-	■
Climate Concierge - controls the set temperature of the cabin, seats and if applicable the steering wheel heater	■	■	■
Auto-dimming interior rear view mirror	■	■	■
Electrically adjustable leather steering wheel with paddle shifts and auto retraction function	■	-	-
Electrically adjustable F SPORT leather steering wheel with paddle shifts and auto retraction function	-	■	-
Electrically adjustable wooden and leather steering wheel with auto retraction function and paddle shifts	-	-	■
Heated steering wheel	RX: ■ RX L: □ ^{1,2}	■	■
Leather gearlever	■	-	■
F SPORT leather gearlever	-	■	-
LED interior illumination	■	■	■
Unique LED illumination - instrument panel	-	■	■
Stainless steel scuff plates	■	-	-
LED aluminium scuff plates	-	-	■
F SPORT aluminium scuff plates	-	■	-
Drilled F SPORT aluminium sports pedals	-	■	-
F SPORT combination meter	-	■	-
Black grain inlay	■	-	-
Aluminium inlay	-	■	-
Wood inlay	-	-	■
Rear door sun shades	-	■	■
Analogue Lexus clock with GPS	■	■	■
4 x tie down hooks in boot	■	■	■
2 x fixed shopping bag hooks in boot	■	■	■
2 x sun visors with vanity mirror and lamp	■	■	■
Textile carpet mats	■	■	■

STORAGE

	RX/RXL	F SPORT*	Takumi
Centre armrest with storage and 2 cup holders	■	■	■
Rear armrest with storage and 2 cup holders	■	■	■
Small compartment to right of steering wheel	■	■	■
Glasses holder in roof lighting panel	■	■	■
Card holder installed in the drivers and passengers sun visors	■	■	■
2 map pockets in the rear	■	■	■

* F SPORT not available on RX L

- Available as standard
- Available as part of a pack
- Available as an option.
- Not available.
- ¹ Premium Pack
- ² Tech & Safety Pack
- ³ Takumi Pack

SEATS

	RX/RXL	F SPORT*	Takumi
Tahara man-made leather upholstery	■	-	-
Smooth leather upholstery	□ ^{1,2}	-	-
F SPORT seats - leather upholstery	-	■	-
Semi-Aniline leather upholstery	-	-	■
Driver's seat easy access auto retraction function	□ ^{1,2}	■	■
Driver and passenger 8-way electrically adjustable front seats	■	■	-
Driver and passenger 10-way electrically adjustable front seats	-	-	■
Heated front seats	RX: ■ RX L: □ ^{1,2}	■	■
Ventilated front seats	□ ^{1,2}	■	■
Heated rear seats	-	□ ³	■
2-way power lumbar support	■	■	-
4-way power lumbar support	-	-	■
Memory function for driver	□ ^{1,2}	■	-
Memory function for driver and passenger	-	-	■
60/40 split folding rear seat with 40/20/40 folding ability	■	■	■
Reclining and sliding rear seats	■	■	■
Electric folding rear seats on RX	-	□ ³	■
Electric folding, third-row rear seats on RX L	■	-	■

- Available as standard
- ¹ Premium Pack
- Available as part of a pack
- ² Tech & Safety Pack
- Available as an option.
- ³ Takumi Pack
- Not available.

LIGHTS

	RX/RXL	F SPORT*	Takumi
3-Eye LED headlights with Auto High Beam (AHB)	■	-	-
3-Eye LED headlights with Adaptive High Beam System (AHS) with BladeScan™	-	■	■
LED daytime running lights	■	■	■
LED front fog lights	■	■	■
LED cornering lights	■	■	■
LED brake lights and rear lights with emergency brake signal	■	■	■
LED front and rear sequential indicators	■	■	■
Headlight cleaners	■	■	■

EXTERIOR

	RX/RXL	F SPORT*	Takumi
Door mirrors: heated, auto-folding, with reverse tilt, turn indicators and puddle light	RX: ■ RX L: -	-	-
Door mirrors: heated, auto-folding, auto-dimming, with reverse tilt function, memory, turn indicators and puddle light	RX: □ ^{1,2} RX L: ■	■	■
Front and rear electric windows	■	■	■
Rain-sensing wipers	■	■	■
Lane change flasher function	■	■	■
Intelligent front and rear parking sensors	■	■	■
Power Back Door (RX)	■	-	-
Hands-free power back door with kick sensor	RX: □ ^{1,2} RX L: ■	■	■
Privacy glass, rear doors and tailgate	■	■	■
Sunroof	RX: - RX L: ○/□ ^{1,2}	○	RX: ○ RX L: ■
Panoramic Sunroof	RX: ○/□ ^{1,2} RX L: -	○/□ ^{2,3}	RX: ■ RX L: -
Roof rails	■	■	■
F SPORT exterior styling consisting of: mesh pattern front grille, F SPORT badging, front and rear bumpers, black outside mirror covers	-	■	-

AUDIO, COMMUNICATION & INFORMATION

	RX/RXL	F SPORT*	Takumi
Lexus Link Connected Services with WIFI hotspot	■	■	■
Apple CarPlay® and Android Auto®	■	■	■
DAB Radio	■	■	■
1-DVD	■	■	■
Lexus Premium Navigation with full European map capability, street view, and connected services	■	■	■
12-speaker Pioneer® audio	■	■	■
15-speaker Mark Levinson® Premium Surround Sound System	-	□ ³	■
12.3" multimedia touchscreen display and Remote Touch Interface	■	■	■
4" TFT multi-information display	■	■	■
Reversing camera with back guidelines	■	■	■
360° Panoramic View Monitor	-	□ ³	■
Front and rear USB ports	■	■	■
1 AUX socket with VTR compatibility	■	■	■
3 12V power outlet sockets	■	■	■
Wireless smartphone charger	■	■	■
Head-Up Display	□ ²	□ ^{2,3}	■
Bluetooth® mobile phone connectivity	■	■	■

* F SPORT not available on RX L

- Available as standard
- ¹ Premium Pack
- Available as part of a pack
- ² Tech & Safety Pack
- Available as an option.
- ³ Takumi Pack
- Not available.

WHEELS

	RX/RXL	F SPORT*	Takumi
20" alloy wheels (235/55 R20)	■	-	-
20" F SPORT alloy wheels (235/55 R20)	-	■	-
20" Takumi design alloy wheels (235/55 R20)	-	-	■
Temporary spare wheel	■	■	■

OPTIONS

	RX/RXL	F SPORT*	Takumi
Active stabilisers	-	○	-
Captain Seats for second row (6-seats) Available only on RX L Takumi	-	-	○
Panoramic Sunroof (with opening ability - RX only) Please note that Lexus Cross Bars are NOT compatible with the panoramic sunroof	RX: ○ RX L: -	○	RX: ■ RX L: -
Sunroof	RX: - RX L: ○	○	RX: ○ RX L: ■

PACKS

	RX/RXL	F SPORT*	Takumi
Premium Pack (in addition to RX RX L): Smooth Leather Upholstery, Ventilated Front Seats, Heated Front Seats (RX L only), Heated Steering Wheel (RX L only), Hands-free Power Back Door with Kick Sensor, Door mirrors: Auto-dimming with Memory (RX only), Driver's Seat Easy Access Auto-retraction and Memory Functions	○	■	■
Tech & Safety Pack: Premium Pack content, Head-Up Display, Blind Spot Monitor, Rear Cross Traffic Alert and Auto Brake, Heated Rear Seats (RX only), Panoramic Sunroof (RX) Sunroof (RX L)	○	○	■
Takumi Pack: Tech & Safety Pack content, Electrically Folding Rear Seats, Heated Rear Seats (RX L only), 15-speaker Mark Levinson® Premium Surround Sound System, 360° Panoramic View Monitor, Card Key, Panoramic Sunroof (RX only)	-	○	■

ACCESSORIES



Accessory Pack	Description	RX			RX L		OTR
		RX	F SPORT	Takumi	RX L	Takumi	
Protection Pack	This pack features a combination of boot liner, rubber floor mats, rear bumper plate and full set of optional mudflaps.	<input type="radio"/>	<input type="radio"/>	<input type="radio"/>	<input type="radio"/>	<input type="radio"/>	£399.00 without mudflaps
		<input type="radio"/>	<input type="radio"/>	<input type="radio"/>	<input type="radio"/>	<input type="radio"/>	£449.00 with mudflaps
Design Pack	Chrome side sills and boot door trim to complement the subtle designs and curves of your new RX.	<input type="radio"/>	<input type="radio"/>	<input type="radio"/>	-	-	£399.00
Illuminated Scuff Plates	Genuine scuff plates for the door sills create an immediate impression of style while also serving a very practical purpose of protecting the sill paintwork from dirty marks, scrapes and scratches.	<input type="radio"/>	<input type="radio"/>	<input checked="" type="checkbox"/>	<input type="radio"/>	<input checked="" type="checkbox"/>	£299.00
Towing	The detachable towing hitch enables your RX to carry extra weight and can be vertically removed when not in use. It also comes with 7-Pin or 13-Pin electrics to suit your towing purposes.	<input type="radio"/>	<input type="radio"/>	<input type="radio"/>	-	-	£649.00
Roof Accessories	Ensure your equipment can be easily transported. A bike holder, ski and snowboard holder and roof box are available. Please note that roof cross bars cannot be fitted to vehicles with a panoramic roof.	<input type="radio"/>	<input type="radio"/>	<input type="radio"/>	<input type="radio"/>	<input type="radio"/>	Lexus Centre Fit*
Dog Guard and Boot Divider	The boot guard safely separates your pet(s) from the passenger seats while the divider also allows space for luggage.	<input type="radio"/>	<input type="radio"/>	<input type="radio"/>	-	-	Lexus Centre Fit*

For further information of accessories available, see below:

RX



RX L



*For Lexus Centre fit accessories, please contact your local Lexus Centre for further details

■: Available as standard

○: Available as an option

-: Not Available



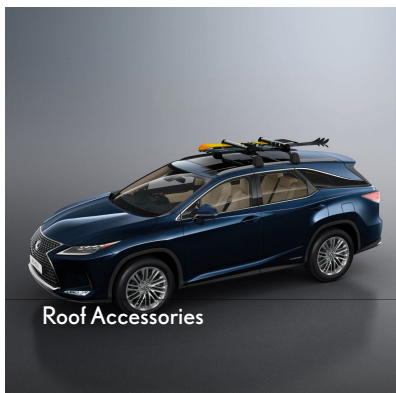
Protection Pack



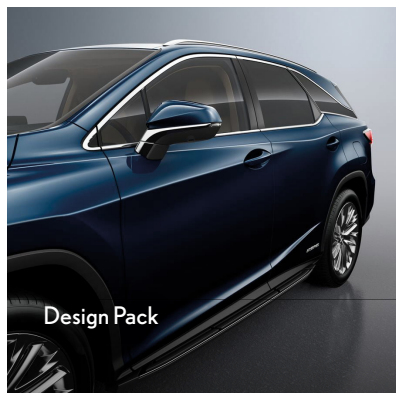
Roof Accessories



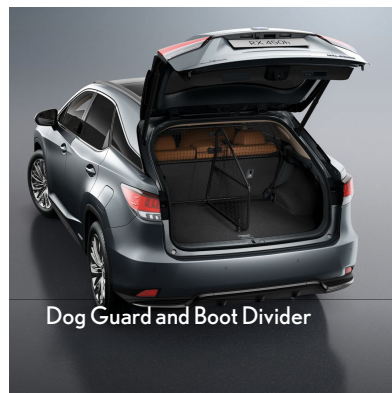
Protection Pack



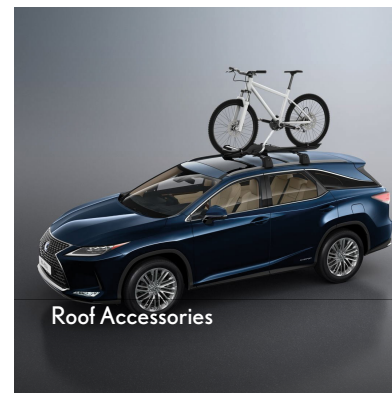
Roof Accessories



Design Pack



Dog Guard and Boot Divider



Roof Accessories



Towing

TECHNICAL DATA



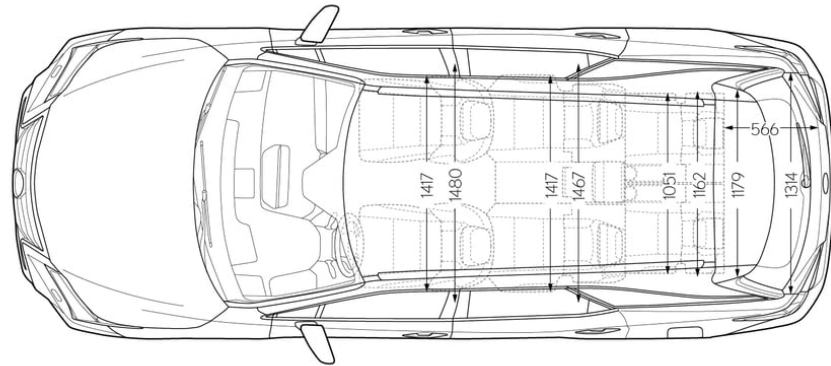
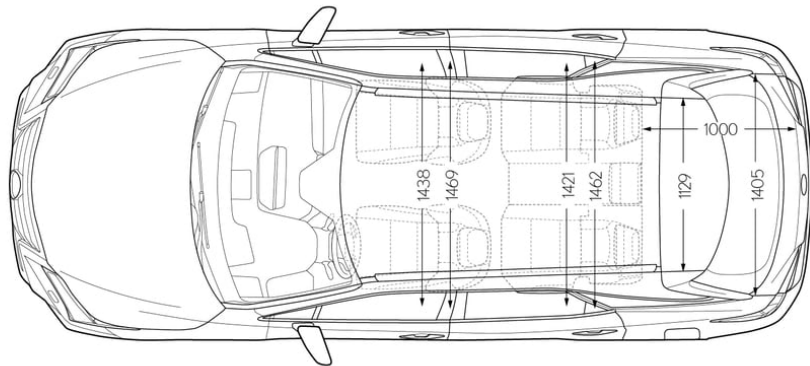
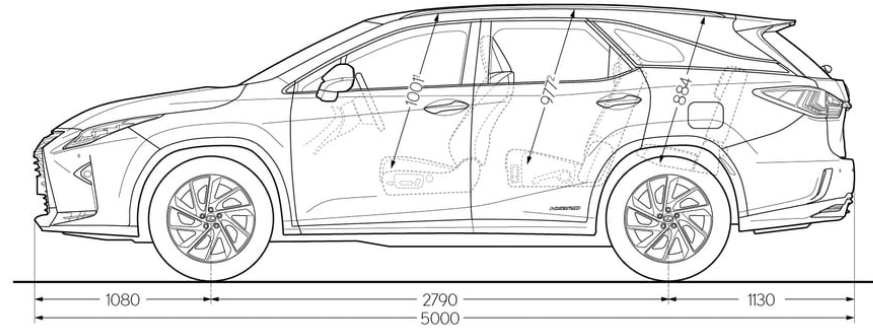
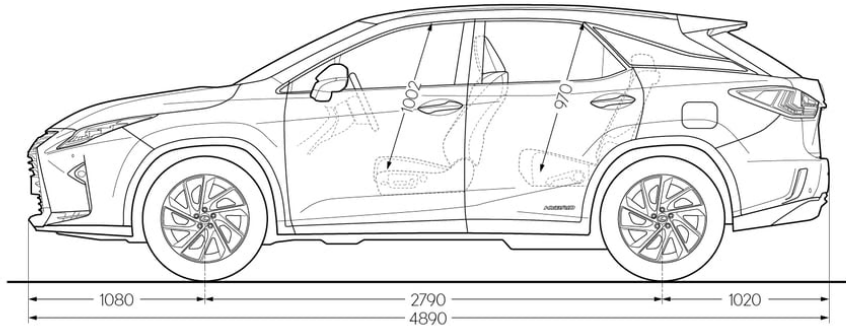
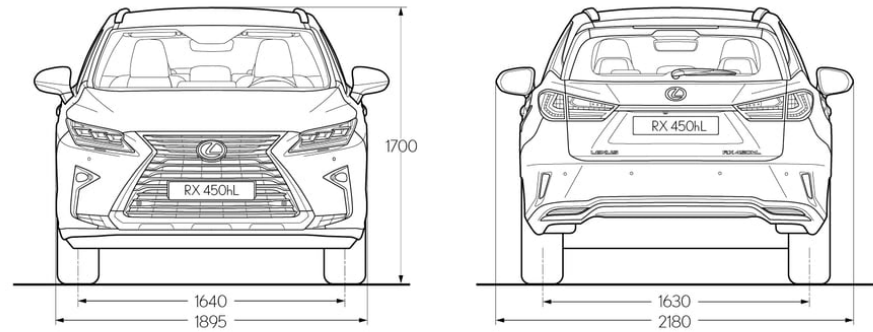
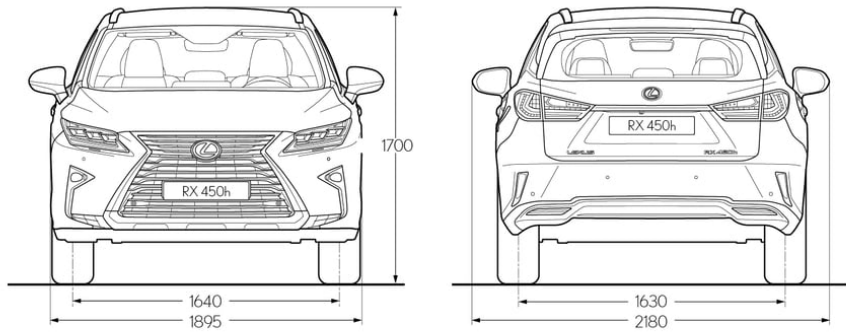
		RX	RXL
TOTAL SYSTEM OUTPUT (ENGINE AND ELECTRIC MOTOR MAXIMUM)	Maximum output (DIN-hp / kW)	313 / 230	
ENGINE	Capacity (cm ³)	3456	
	Cylinders / Valves	V6 / 24	
	Maximum output (DIN-hp / kW @ RPM)	262 / 193 @ 6000	
	Maximum torque (Nm @ RPM)	335 @ 4600	
FRONT ELECTRIC MOTOR	Motor type	A/C permanent magnet synchronous motor	
	Maximum output (DIN-hp / kW)	167 / 123	
	Maximum torque (Nm)	335	
REAR ELECTRIC MOTOR	Motor type	A/C permanent magnet synchronous motor	
	Maximum output (DIN-hp / kW)	68 / 50	
	Maximum torque (Nm)	139	
ELECTRIC GENERATOR	Generator type	A/C permanent magnet synchronous motor	
	Maximum voltage (V)	650	
HYBRID BATTERY	Type	Nickel-Metal hydride	
	Number of battery cells	240	
	Battery voltage (V)	288	
	System voltage (V)	650	
TRANSMISSION	Transmission type	Automatic: Electronic - Continuously Variable Transmission (E-CVT)	
	Driven wheels	Part-time Four Wheel Drive (E-FOUR)	
PERFORMANCE	Maximum speed mph (km/h)	124 (200)	112 (180)
	Acceleration 0-62 mph (s)	7.7	8.0
INSURANCE GROUP RATING		41E - 42E	
FUEL CONSUMPTION (WLTP [†])	Combined mpg (l/100km)	35.3(8.0) - 35.7(7.9)	34.4(8.2) - 34.4(8.2)

		RX	RXL
EMISSIONS (WLTP [†])	Emissions level	EURO 6D TEMP-EVAP-ISC	
	CO ₂ Combined (g/km)	180 - 178	186 - 185
TYRES AND WHEELS	Tyre size	235/55R20 102V	
	Wheel size	20X8J	
	Spare wheel	Temporary Spare	
	Tyre pressure warning system	Auto Location	
DIMENSIONS AND WEIGHTS	Fuel tank capacity (l)	65	
	Length (mm)	4890	5000
	Width (mm)	1895	
	Width (mm) with mirrors	2180	
	Height (mm)	1700	1700
	Luggage capacity to the top of rear seat, rear seat up (l)	539	-
	Luggage capacity to the roof, rear seat down (l)	1579	-
	Luggage capacity to the top of rear seat, third row up (l)	-	176
	Luggage capacity to the top of 2nd row seat, third row down (l)	-	591
	Luggage capacity to the roof, second and third row down (l)	-	1656
Gross vehicle weight (kg)	2715	2840	
Kerb weight (min.-max.) (kg)	2,100-2,210	2,205-2,270	
Towing capacity with brakes (kg)	2000		
Towing capacity without brakes (kg)	750	Towing Prohibited	
Drawbar load (Nose weight)	80		

[†]Figures are provided for comparability purposes; only compare fuel consumption and CO₂ figures with other cars tested to the same technical procedures. These figures may not reflect real life driving results. Fuel consumption and CO₂ produced varies significantly depending on a number of factors, including the accessories fitted (post-registration), driving style, conditions, speed and vehicle load. All models and grades are certified according to the World Harmonised Light Vehicle Test Procedure (WLTP). All mpg and CO₂ figures quoted are full WLTP figures. For more information on WLTP and specific vehicle types see <https://www.lexus.co.uk/wltp>. More information on WLTP in general can be found by visiting: www.vehicle-certification-agency.gov.uk/fcb/wltp.asp

RX & RX L DIMENSIONS





Please note: the dimensions illustrated / noted are measured in millimetres.

LEXUS LINK



Lexus Link transforms your vehicle into a connected car.

This mobile app offers access to a suite of services such as Find My Car, Online Service Booking, Share to Car and Driving Analytics. Getting started is easy.

Register with Lexus Link on the Lexus website or by downloading the app to your smart phone device.

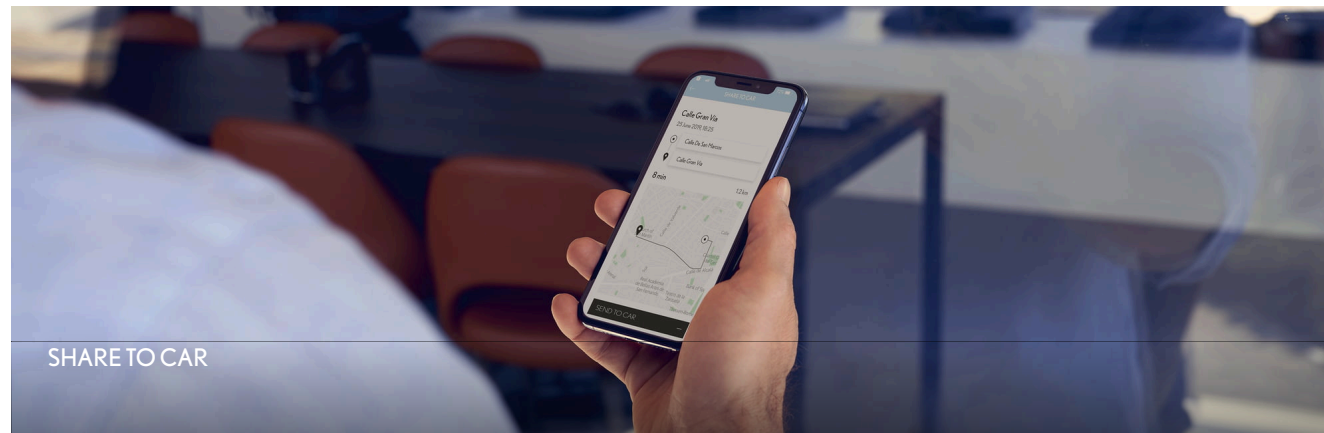
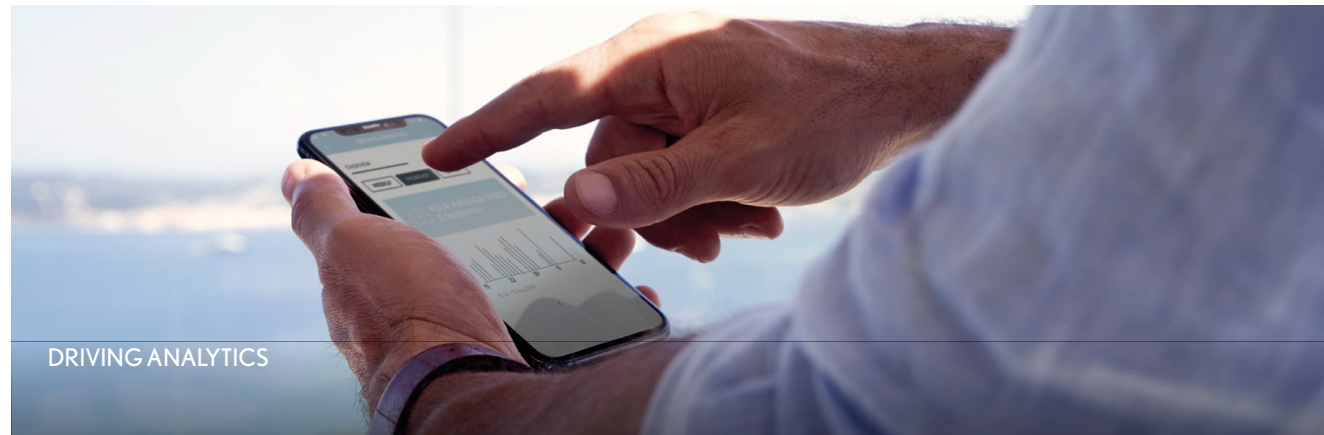


KEY FEATURES

- **DRIVING ANALYTICS** - Take a closer look at your journey history. Lexus Link provides data of your driving performance and style including speed, acceleration, braking, mileage and fuel consumption.
- **FIND MY CAR** - Locates your Lexus and guides you back to it through your preferred navigation app.
- **ONLINE SERVICE BOOKING** - Helps you manage the care of your new Lexus.
- **SHARE TO CAR** - Lets you plan a route on another device and send it to your Lexus.
- **LAST MILE GUIDANCE** - Guides you on foot to your final destination once you are parked.

For the latest features consult with your Lexus Centre or visit here:

LEXUS OWNERS





LEXUS SUV RANGE

UX: HYBRID LUXURY COMPACT SUV

Combining the agility of a hatchback and strength of an SUV, UX is powered by fourth-generation Lexus Self-Charging Hybrid technology. Capable of travelling up to 71mph in electric mode, it has exceptional fuel economy and CO₂ emissions.

- 2-litre Self-Charging Hybrid
- 5 seats
- Front Wheel Drive (FWD) or E-FOUR All Wheel Drive
- Automatic transmission
- Luggage capacity: 320 litres (FWD); 283 (E-FOUR)

- Power: 184 DIN-hp
- MPG (l/100km) range: 47.0 (6.0) - 53.2 (5.3)
- CO₂ range: 137 - 120g/km

From £29,955



To learn more about the rest of the Lexus SUV range, please visit:

LEXUS SUV

4495mm

UX: ALL-ELECTRIC LUXURY COMPACT SUV

The UX 300e is spearheading the next chapter of electrification at Lexus. Created to evoke the original fun of driving in the city, the UX 300e combines world-class Lexus refinement with an exciting new full electric drivetrain to give a new Lexus Electrified experience.

- 150kW electric motor with 54.3 kWh battery
- 5 seats
- Front Wheel Drive (FWD)
- Single speed transaxle
- Luggage capacity: 367 litres

- Power: 150kW (204 DIN hp)
- Combined fuel economy (kWh / 100km): 17.1-16.8
- Combined fuel economy (miles / kWh): 3.6-3.7
- Range (miles): 196-190
- CO2 range: 0 g/km

From £41,745



To learn more about the rest of the Lexus SUV range, please visit:

LEXUS SUV

4495mm

RX: HYBRID LUXURY SUV

A bold, emphatic exterior gives way to a world of unparalleled comfort, space and luxury. Equipped with our Self-Charging Hybrid technology RX delivers a seamless performance and exhilarating drive. Throughout you will discover useful features like Apple CarPlay®, Lane Tracing Assist, while the Lexus Safety System+ makes RX one of the safest SUV's out there.

From £52,665

To learn more about the rest of the Lexus SUV range, please visit:

LEXUS SUV

- 3.5 litre Self-Charging Hybrid
- 5 seats
- E-FOUR All Wheel Drive
- Automatic transmission
- Luggage capacity: 539 litres

- Power: 313 DIN-hp
- MPG (l/100km) range: 35.3 (8.0) - 35.7 (7.9)
- CO₂ range: 180 - 178g/km



4890mm

RX L: LARGE HYBRID LUXURY SUV

A family SUV that puts the focus firmly on luxury, RX L is elegant, spacious and engineered to make sure every passenger is pampered and protected. This versatile addition to our luxury SUV range features occasional 7 seats across three rows and enhanced cargo capability while still retaining the stylish figure and Self-Charging Hybrid that characterises RX SUV. The interior features a precision designed cabin and technologies such as Tri Zone Climate Control.

From £53,995

To learn more about the rest of the Lexus SUV range, please visit:

LEXUS SUV —

- 3.5 litre Self-Charging Hybrid
- 7 seats
- E-FOUR All Wheel Drive
- Automatic transmission
- Luggage capacity: 591 litres with third row folded, 176 litres with third row up

- Power: 313 DIN-hp
- MPG (l/100km) range: 34.4 (8.2) - 34.4 (8.2)
- CO₂ range: 186 - 185g/km



5000mm

ADDITIONAL BENEFITS



3 YEARS' FREE LEXUS ROADSIDE ASSISTANCE

Whatever the situation, when you're driving your Lexus, we're just one call away with expert support at the roadside 24 hours a day, every day of the year.

3 years from initial purchase of new vehicle 24 hours a day, 365 days a year assistance anywhere in the UK.

Home Start

One in four breakdowns happen at the home address. Home Start allows you to enjoy all the benefits of Lexus Roadside Assistance from your home address.

Personal assistance

Lexus Roadside Assistance is designed to look after you – not just your vehicle. So even if you are a passenger in someone else's car you can still receive Lexus Roadside Assistance.

Replacement vehicle

A replacement vehicle will be provided free of charge (excluding petrol and other consumables) for up to three days, provided we have taken your vehicle to a Lexus Centre for repairs following a breakdown.

Hotel accommodation

If a replacement vehicle is unavailable, we will arrange a hotel for you and your family for up to £150 per person to a maximum of £500, for one night.

Onward travel

If a replacement vehicle is unavailable and you would like to make your own travel arrangements following a breakdown, we will reimburse the cost of this up to £150 per person, to a maximum of £500.

European travel

If you travel across Europe your Roadside Assistance will travel with you, whether you are driving your Lexus or another car.

Medical assistance

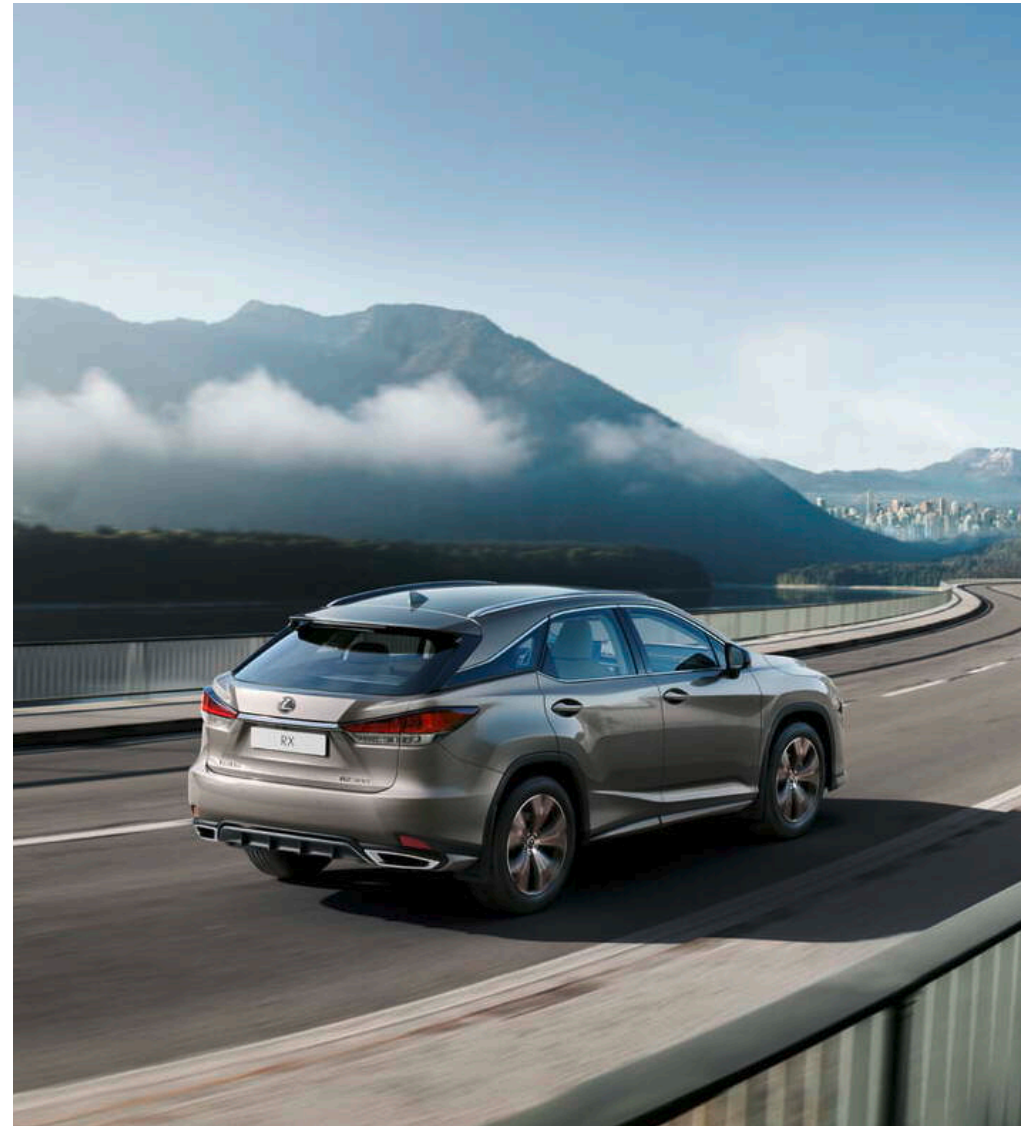
If the driver of the car is certified ill, we will take you and your passengers to any single destination in the UK.

Lost or broken keys

If you lose or break your keys, Lexus Roadside Assistance will arrange for recovery of your vehicle to a local Lexus Centre. You will be responsible, however, for the cost of replacement keys.

LEXUS RELAX UP TO 10 YEARS /100,000 MILE LEXUS WARRANTY

Every new Lexus, is eligible to be covered by up to 10 years' manufacturer warranty through Lexus Relax. This is provided through an initial 3 years manufacturer warranty that can be extended with regular servicing at a Lexus Centre. A 12 months' warranty is included with every Lexus Service, up to 100,000 miles or 10 years, whichever comes first, giving you a chance to relax in the knowledge that you and your vehicle are in safe hands. Terms and conditions apply. For full details, please ask your official LexusCentre, visit lexus.co.uk/lexus-relax/terms or search Lexus Relax.



TERMS & CONDITIONS



ADDITIONAL BENEFITS

3 YEARS' FREE LEXUS ROADSIDE ASSISTANCE

Whatever the situation, when you're driving your Lexus, we're just one call away with expert support at the roadside 24 hours a day, every day of the year. Free for 3 years from the initial purchase of a new vehicle, 24 hours a day, 365 days a year, assistance anywhere in the UK.

HOME START

One in four breakdowns happen at the home address. Home Start allows you to enjoy all the benefits of Lexus Roadside Assistance from your home address.

PERSONAL ASSISTANCE

Lexus Roadside Assistance is designed to look after you – not just your vehicle. So even if you are a passenger in someone else's car you can still receive Lexus Roadside Assistance.

REPLACEMENT VEHICLE

A replacement vehicle will be provided free of charge (excluding petrol and other consumables) for up to three days, provided we have taken your vehicle to a Lexus Centre for repairs following a breakdown.

HOTEL ACCOMMODATION

If a replacement vehicle is unavailable, we will arrange a hotel for

you and your family for up to £150 per person to a maximum of £500, for one night.

ONWARD TRAVEL

If a replacement vehicle is unavailable and you would like to make your own travel arrangements following a breakdown, we will reimburse the cost of this up to £150 per person, to a maximum of £500.

EUROPEAN TRAVEL

If you travel across Europe your Roadside Assistance will travel with you, whether you are driving your Lexus or another car.

MEDICAL ASSISTANCE

If the driver of the car is certified ill, we will take you and your passengers to any single destination in the UK.

LOST OR BROKEN KEYS

If you lose or break your keys, Lexus Roadside Assistance will arrange for recovery of your vehicle to a local Lexus Centre. You will be responsible, however, for the cost of replacement keys.

HYBRID BATTERY WARRANTY COVER AND HYBRID HEALTH CHECK (HHC)

A Hybrid Health Check is included in all services for hybrid vehicles, where a technician will test the entire hybrid system and

provide a written report. With each Hybrid Health Check, the customer will receive an extra 1 year or 10,000 mile (whichever comes sooner) hybrid battery warranty extension, until the vehicle is 15 years old. An annual Hybrid Health Check is free of charge as part of any Lexus Service. If a service isn't due for a while, a standalone Hybrid Health Check is available for just £59 to offer peace of mind.

TERMS & CONDITIONS

Vehicles in the Lexus range come with high specifications as standard. As a result, the 'on the road' price* includes not only all those items generally offered as extras, but also many advanced features exclusive to Lexus. Details of the extensive technical specifications and interior appointments of each model are described fully in the main brochures. Whichever model you choose, you can look forward to a standard of After Sales service that's second to none, provided by a network of Lexus Centres individually selected for their exemplary record in customer care. Some Lexus vehicles (including certain specifications and colour/trim combinations) are built to order and could take approximately 2 to 3 months from time of purchase to delivery. For detailed information on lead times, please consult your local Lexus Centre.

WARRANTIES

THREE-YEAR COMPREHENSIVE WARRANTY

Any defect that is attributable to a manufacturing or an assembly defect under normal use is covered by your warranty. This provision applies for a period of three years or 60,000 miles, whichever comes first, with no mileage limit for the first year. In the event of a breakdown immobilising your Lexus, the cost of recovering it to the nearest Lexus Centre is also covered if that breakdown is the result of a warrantable defect.

FIVE YEAR HYBRID VEHICLE WARRANTY:

We also offer a five year / 60,000 mile warranty for both hybrid components and the hybrid battery. An annual Hybrid Health Check is also included free of charge as part of any Lexus Service to ensure that the Self-Charging Hybrid system maintains the optimum performance of your vehicle.

LEXUS RELAX

Up to 10 Years /100,000 mile Lexus warranty.

Every new Lexus, is eligible to be covered by up to 10 years' manufacturer warranty through Lexus Relax. This is provided through an initial 3 years manufacturer warranty that can be extended with regular servicing at a Lexus Centre. A 12 months' warranty is included with every Lexus Service, up to 100,000 miles or 10 years, whichever comes first, giving you a chance to relax in the knowledge that you and your vehicle are in safe hands. Terms

and conditions apply. For full details, please ask your official Lexus Centre, visit lexus.co.uk/lexus-relax/terms or search Lexus Relax.

THREE-YEAR SURFACE RUST AND PAINTWORK WARRANTY

The warranty offers three years of cover for surface rust and paint defects appearing on any of the painted body panels due to a fault in material or workmanship. There is no mileage restriction on this.

12-YEAR CORROSION PERFORMANCE WARRANTY

A 12-year unlimited mileage warranty covers the vehicle against rust perforation through any sheet metal body panel (subject to certain exclusions specified in the warranty booklet) occurring as a result of a manufacturing or assembly defect in the vehicle. The warranty booklet supplied with each new vehicle gives full details. This warranty is also transferable to subsequent owners.

SERVICE PLANS

Service plans are a flexible way of managing the cost of servicing your Lexus. With a service plan you can ensure that your vehicle is maintained to the standards you would expect from Lexus-trained technicians fitting the highest quality Lexus parts**. The Approved Pre-Owned service package can be tailored to your needs. Please contact your local Lexus Centre for a quote.

QUOTED CO₂ AND POWER USAGE FIGURES

†Figures are provided for comparability purposes; only compare fuel consumption and CO₂ figures with other cars tested to the same technical procedures. These figures may not reflect real life driving results. Fuel consumption and CO₂ produced varies significantly depending on a number of factors, including the accessories fitted (post-registration), driving style, conditions, speed and vehicle load. All models and grades are certified according to the World Harmonised Light Vehicle Test Procedure (WLTP). All mpg and CO₂ figures quoted are full WLTP figures. For more information on WLTP and specific vehicle types see <https://www.lexus.co.uk/wltp>. More information on WLTP in general can be found by visiting: www.vehicle-certification-agency.gov.uk/fcb/wltp.asp

LEXUS FINANCIAL SERVICES

Lexus Financial Services offers an extensive range of finance products, including Lexus Connect – Contract Purchase, Lexus Connect Personal Contract Purchase and Lexus Connect – Contract Hire. Products that offer a combination of benefits designed to make acquiring a Lexus as easy as driving one.

Whether you are a private motorist looking for the most flexible, affordable options or a business wishing to boost cash flow and tax-efficiency, our finance products provide attractive, refined solutions. Your Lexus Centre will be happy to discuss the full range of financing options available and create a finance quotation that is right for you. When you choose to go ahead your Lexus Centre will arrange your application. Delivering complete customer satisfaction underpins everything we do at Lexus, so once you commence an agreement with us, you can rest assured that our team of UK-based customer service representatives are only a phone call away if you have any queries. **Finance Subject to status to over 18s. Indemnities may be required. T&Cs apply.**

*'On the road' price comprises list price, £700 delivery charge, £26 number plate allowance (all inclusive of VAT) plus 12 months Vehicle Excise Duty (variable, depending on model) and £55 Vehicle First Registration Fee.

**The service plans exclude cambelt/timing chain changes.

To discover more about Lexus RX:

[VIEW FULL BROCHURE](#)

Learn more about Lexus RX L:

[VIEW FULL BROCHURE](#)

To learn more about the rest of the Lexus SUV range:

[VISIT THE LEXUS WEBSITE](#)

[FIND A CENTRE](#)

SIGN UP TO NEWSLETTER - RX & RX L

To be the first to hear about the latest new updates on the RX & RX L and receive information on our latest Lexus news, offers and events, simply fill in your details in the form on the right, and we'll add you to our mailing list.

We'd like to keep you updated on our latest news, offers and events. We will send these communications by email, phone, SMS or post. Be assured that Lexus UK will only share your personal information with companies that are an integral part of fulfilling the services we deliver. If you would like to find out more about how we process your data please visit our [privacy policy](#) for details.